

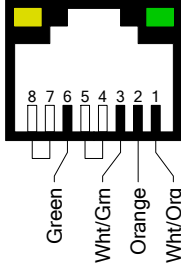
# BLK18E-0012-38X38\_S 50H10PE-S Board Camera Mod's

Aug 7 / 2015 1/2

Barrel Jack  
with +12V from POE

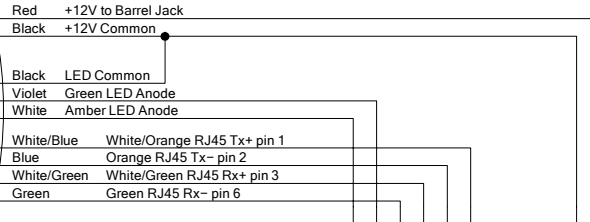
Amber  
LinkA LED

\*Green  
Net Act LED



## Modified Camera Cable Wiring

\*Green Net Act LED only on briefly during power-up.

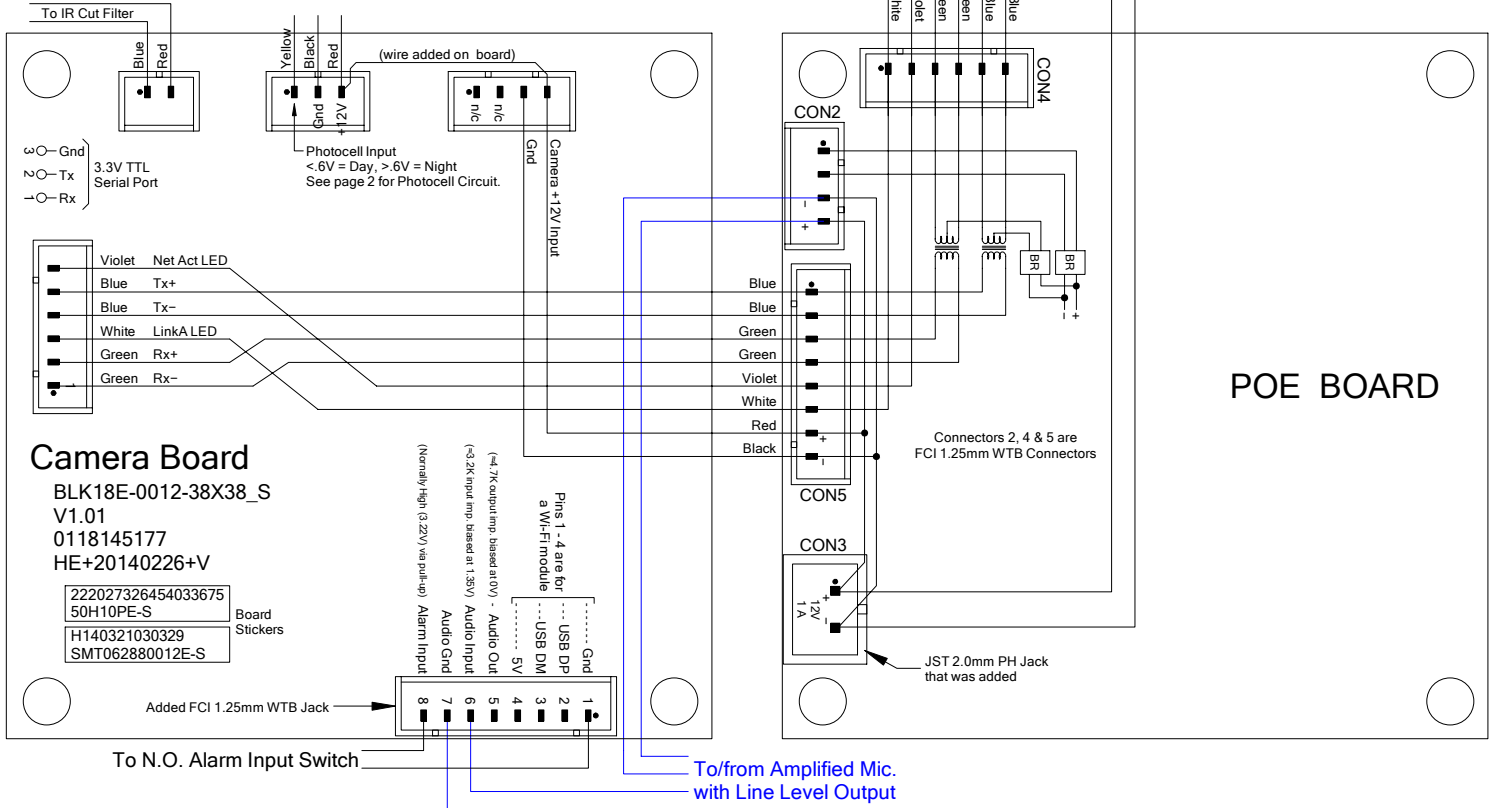


BCam1 192.168.1.41

Firmware:  
V4.02.R12.00006510.10010.1303  
Build Date: 2015-01-16 08:59:32  
"6510" indicates Model is an  
IPC\_HI3518E\_50H10L\_S38  
or to be more exact  
Model 50H10PE-S (from sticker on pcb)

'C' lens IR Cut Filter Spec's.

Red + & Blue - switches Filter Out  
Red - & Blue + switches Filter In  
52 ma @ 3.3V & 84 ma @ 5.0V  
(≈ 60 ohms)

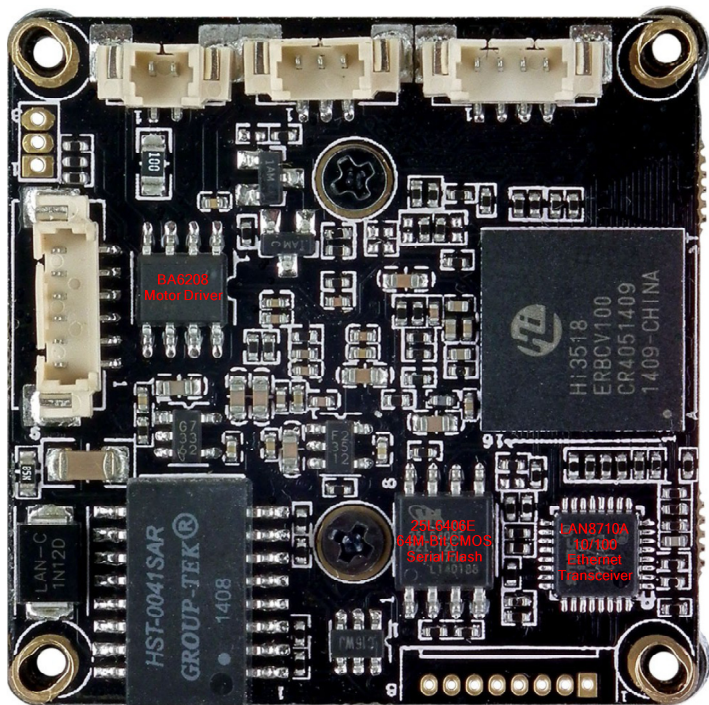


## Camera Board

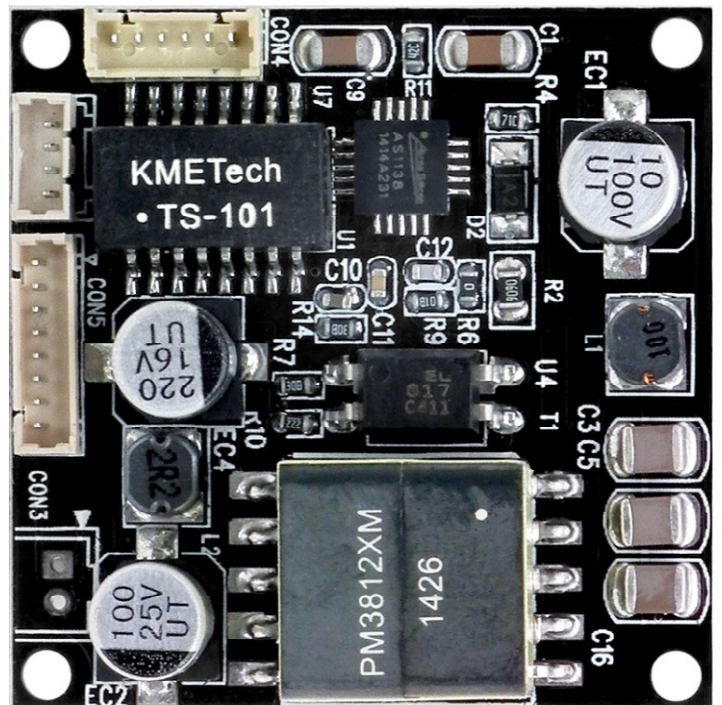
BLK18E-0012-38X38\_S  
V1.01  
0118145177  
HE+20140226+V

Board Stickers  
222027326454033675  
50H10PE-S  
H140321030329  
SMT062880012E-S

Added FCI 1.25mm WTB Jack

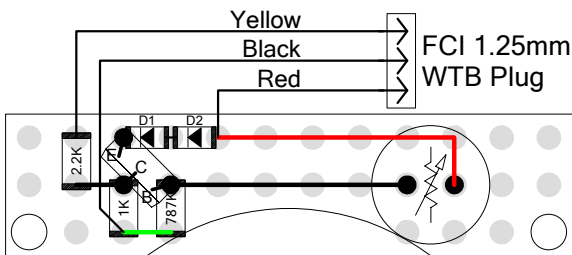
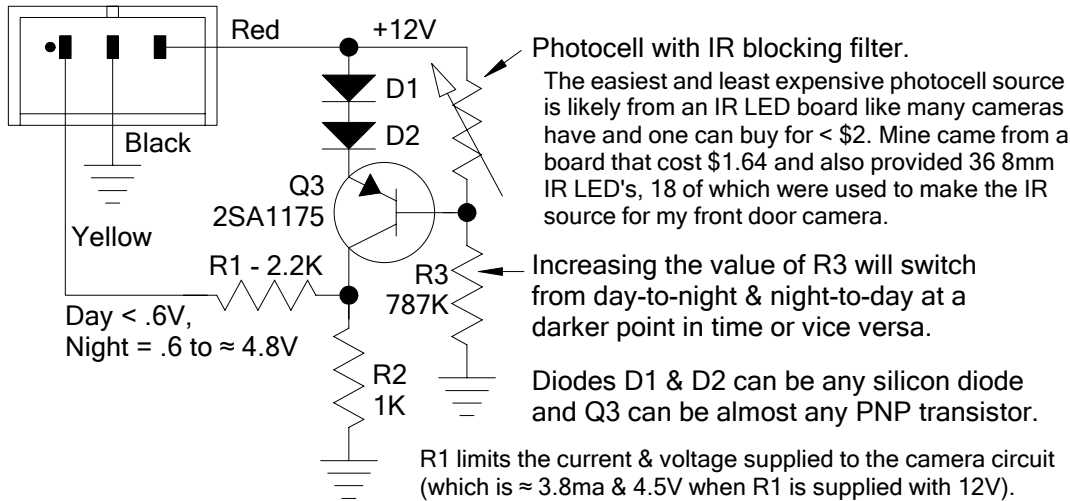


CAMERA BOARD



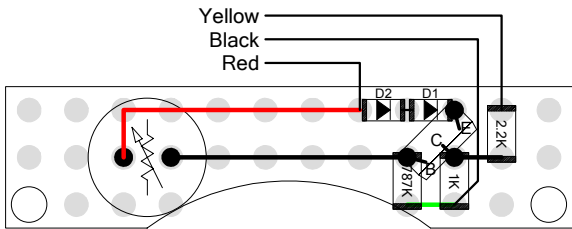
POE BOARD

## IR Cut Filter Photocell Control Board



The circuit was built on a small piece of prototype board with the transistor and photocell installed on the top and SMD diodes & resistors on the bottom side.

Circuit Board Layout - Top View



Circuit Board Layout - Bottom View