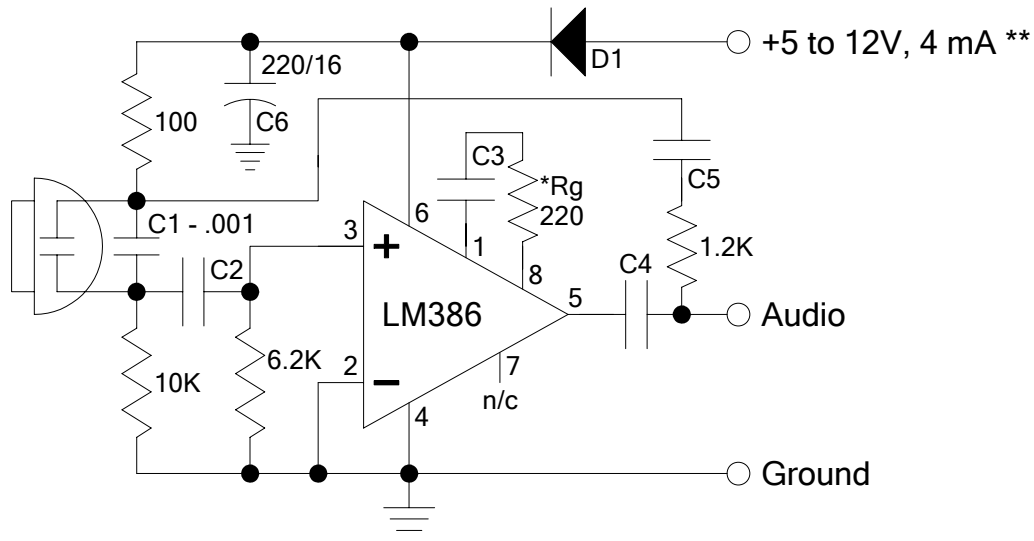


# eBay - Electret Mic with LM386 Amplifier



Maximum Audio Level at 5V is  $\approx 3.5V_{p-p}$  and increases as voltage is increased to 12V.

Gain remains the same from 5V to 12V.

\*\* Absolute Max. Voltage for LM386 is 15V and diode forward voltage is  $\approx 0.69V$  so absolute maximum supply voltage is actually  $\approx 15.7V$ .

\*\* Minimum operating voltage is:  
 $\approx 3.76V$  at LM386 pin 6 which is  $\approx 4.45V$  before the diode.

\*Rg sets the Gain

Gain = 20 with no resistor (pins 1 & 8 open)

Gain = 80 with  $R_g = 220\Omega$  (unmodified circuit)

Gain = 120 with  $R_g = 110\Omega$

Gain = 200 with  $R_g = 0$  (C3 between pins 1 & 8)

