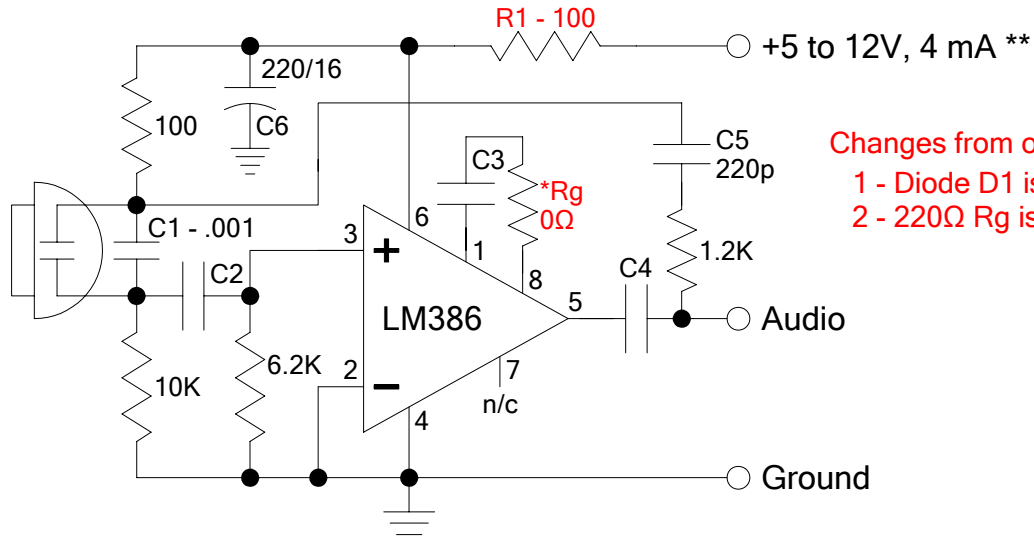


Modified eBay Electret Mic with LM386 Amplifier

As modified for 50H10PE-S & Other IPC Board Cameras



Changes from original circuit:
1 - Diode D1 is replaced with R1
2 - 220Ω Rg is replaced with 0Ω

Maximum Audio Level at 5V = 3.5Vp-p and increases as voltage is increased to 12V.

Gain remains the same from 5V to 12V.

** Absolute Max. Voltage for LM386 is 15V and diode forward voltage is $\approx 0.69V$ so absolute maximum supply voltage is actually $\approx 15.7V$.

** Minimum operating voltage is $\approx 3.76V$ at LM386 pin 6 which was $\approx 4.45V$ before the diode (that was removed) and is $\approx 4.16V$ with the 100Ω resistor.

*Rg sets the Gain

Gain = 20 with no resistor (pins 1 & 8 open)

Gain = 80 with Rg = 220Ω (unmodified circuit)

Gain = 120 with Rg = 110Ω

Gain = 200 with Rg = 0 (C3 between pins 1 & 8)

