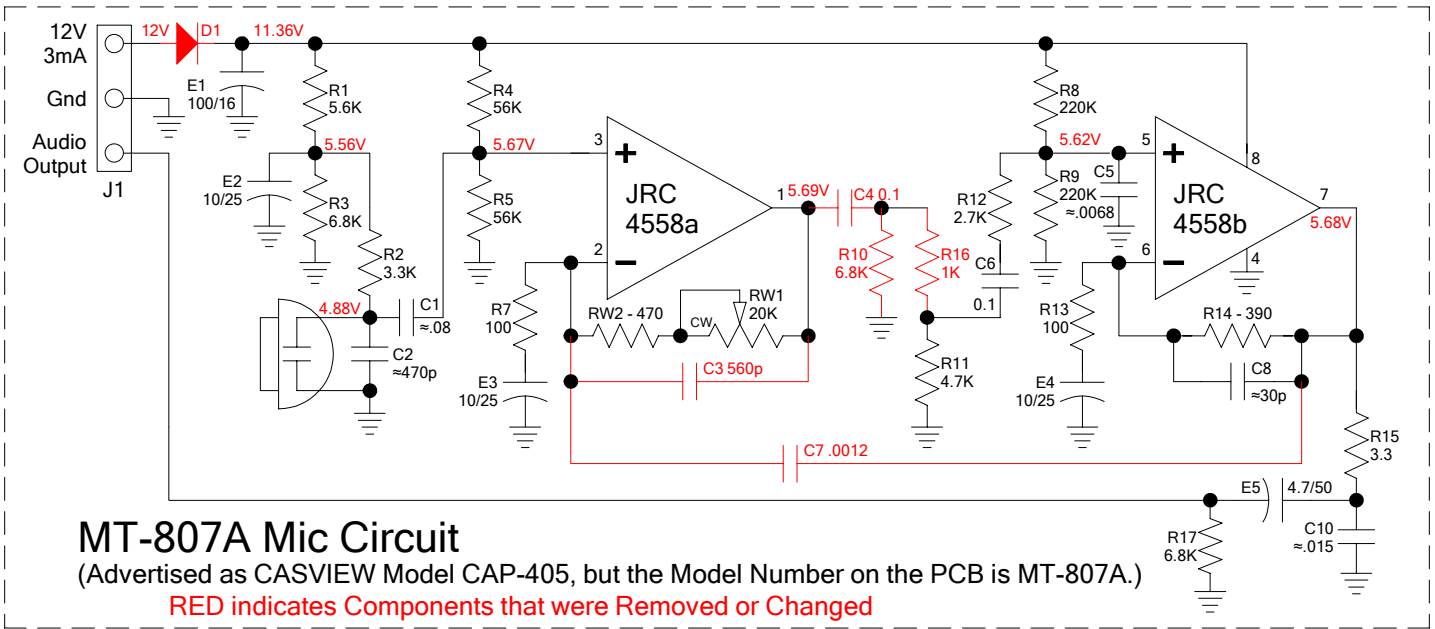
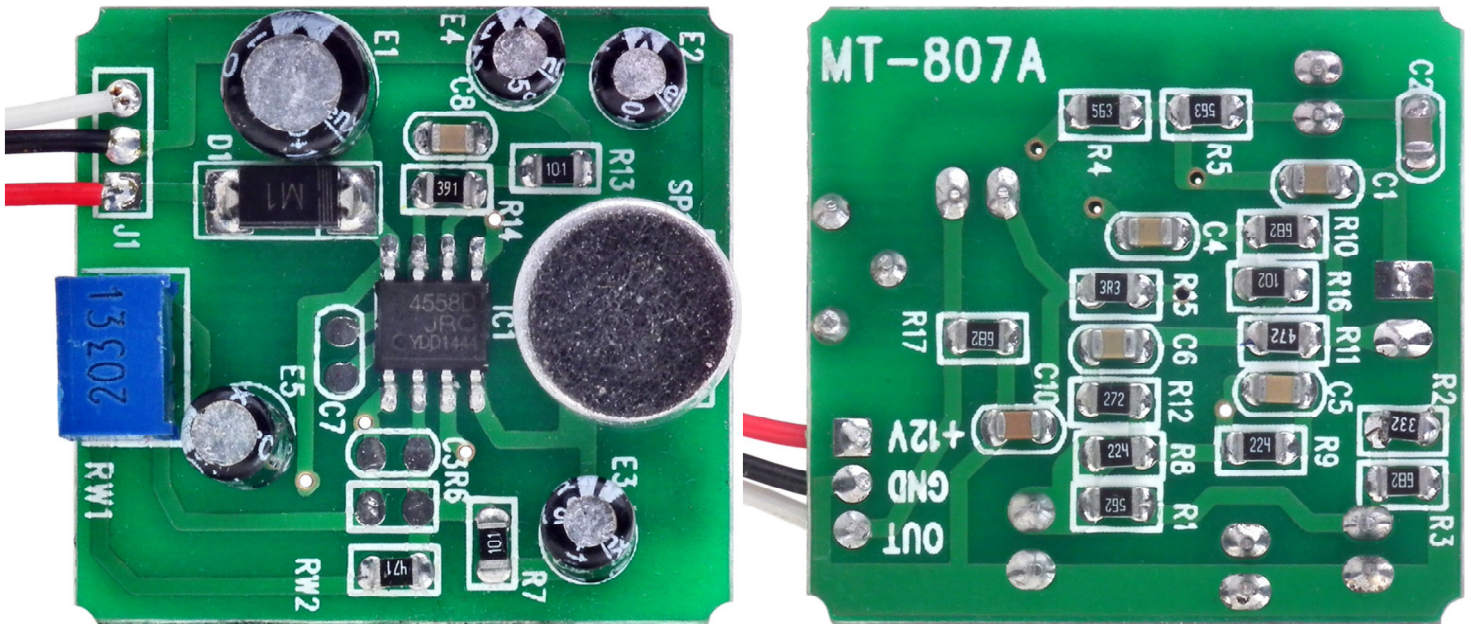


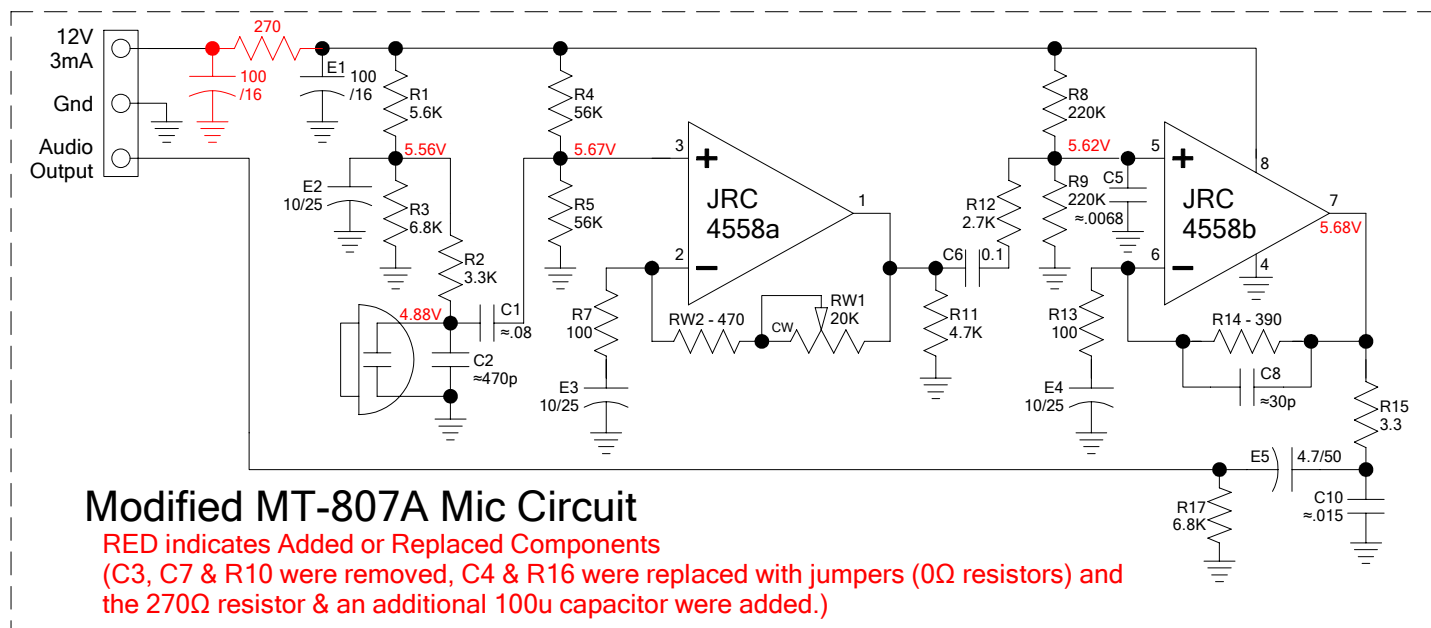
MT-807A Electret Mic with Level Control



Measurements were made with a 5 mVp-p signal substituted for the mic. element and:

- with RW1 set for Minimum Gain the Maximum Output was 80mVp-p at 2 KHz, Gain was ≈ 16 , 3dB Frequency Response was from 580 Hz – 7.8 KHz & 6dB Frequency Response was from 380 Hz – 13 KHz.
- with RW1 set for Maximum Gain the Maximum Output was 2.7Vp-p at 1 KHz, Gain was ≈ 540 , 3dB Frequency Response was from 500 Hz – 2 KHz & 6dB Frequency Response was from 360 Hz – 3 KHz.





Measurements were made with a 5 mVp-p signal substituted for the mic. element, with RW1 set for Maximum Gain and were made consecutively after each component change to see the effect of each change.

- 1) Without C3 the Maximum Output was at 1 KHz, the 3dB Frequency Response was from 500 Hz – 2.1 KHz & 6dB Frequency Response was from 360 Hz – 3.2 KHz.
- 2) Without C3 & C7 the Maximum Output was at 2 KHz, Gain was ≈ 560, 3dB Frequency Response was from 600 Hz – 7.5 KHz & 6dB Frequency Response was from 400 Hz – 11.7 KHz.
- 3) With C4 replaced with a 0Ω resistor, the Maximum Output was at 1.2 KHz, Gain was ≈ 630, 3dB Frequency Response was from 300 Hz – 6.4 KHz & 6dB Frequency Response was from 200 Hz – 10.6 KHz.
- 4) With R10 removed the Gain was ≈ 700.
- 5) With R16 replaced with a 0Ω resistor the Gain was ≈ 800, 3dB Frequency Response was from 300 Hz – 6.4 KHz & 6dB Frequency Response was from 200 Hz – 10.6 KHz.