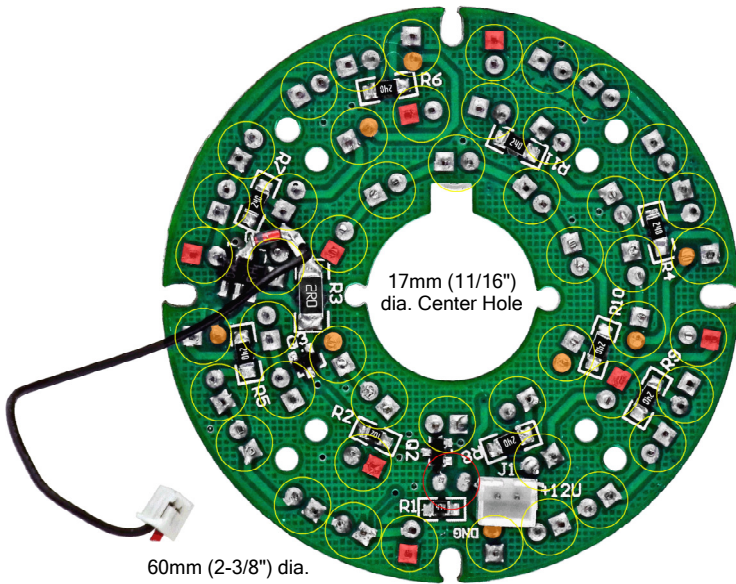


# Dericam H216W / Cybernova CN-WIP880MW Outdoor IP Camera Mod's



60mm (2-3/8") dia.

● Pad connected to +12V ● Pad connected to Q1 Collector

## HTX-F5-48-3 I.R. LED Board

≈ 220 mA w/ IR LED's OFF & 540 mA w/ IR LED's ON  
at 12V w/ wired connection (wi-fi off) and 32GB TF Card.

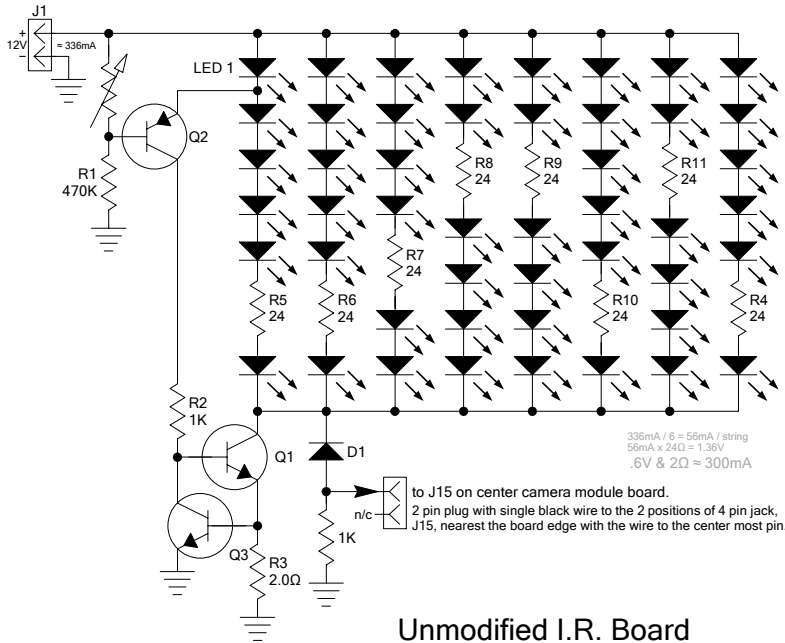
Network I.R. On/Off commands only control the I.R. Cut Filter.

The photocell controls I.R. LED operation and operation of the I.R. Cut Filter in Auto I.R. Mode.

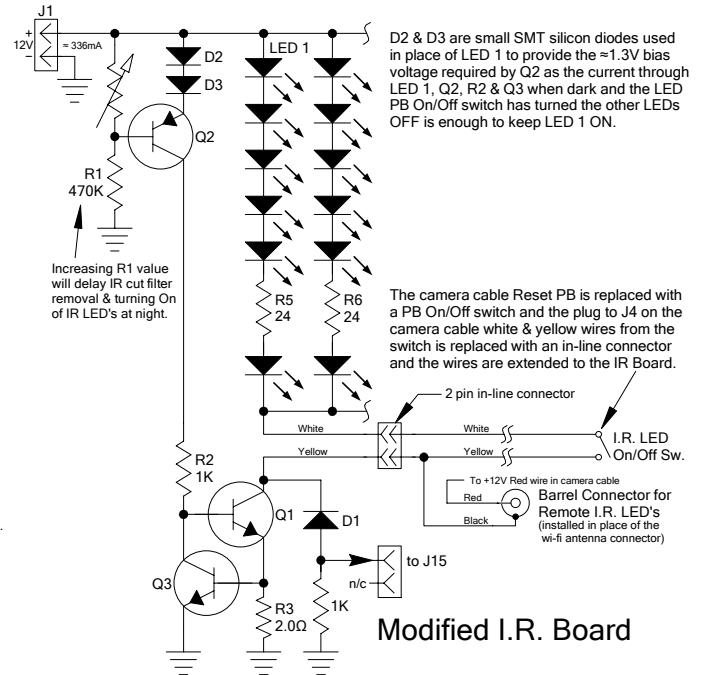
I.R. Cut Filter photocell operation is delayed  
≈ 20 sec's on Dericam & ≈ 5 sec's on Cybernova cameras.

### Camera Module & I.R. Board Orientation

- (1) Camera body is considered upright when SMA antenna connector is positioned above the camera cable strain relief.
- (2) Looking into the lens, the camera module is upright when the TF Memory Card is on the Right, the IR Cut Filter and J3, J2, J5 & J4 on rear PCB are on the Left and J15 on rear PCB is near the top.
- (3) The I.R. board is positioned with the photocell below the lense.

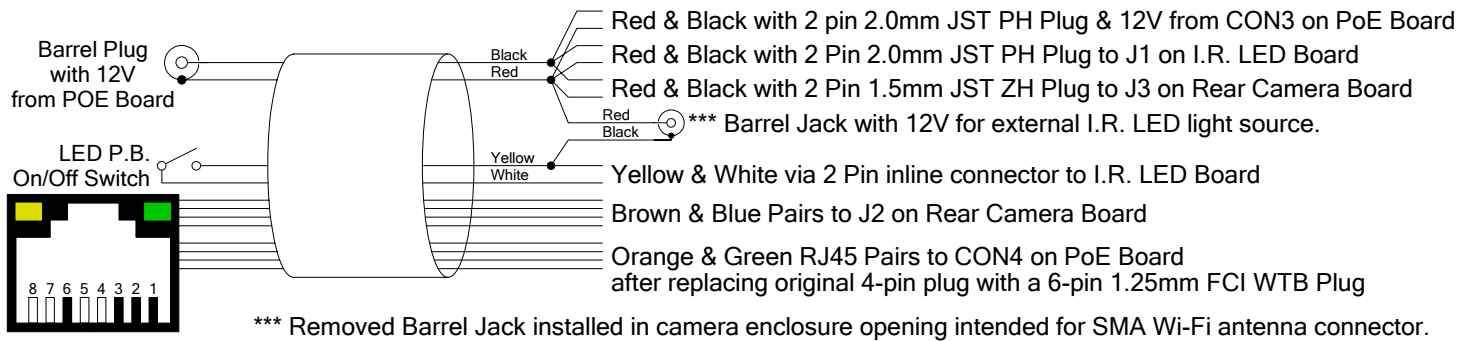
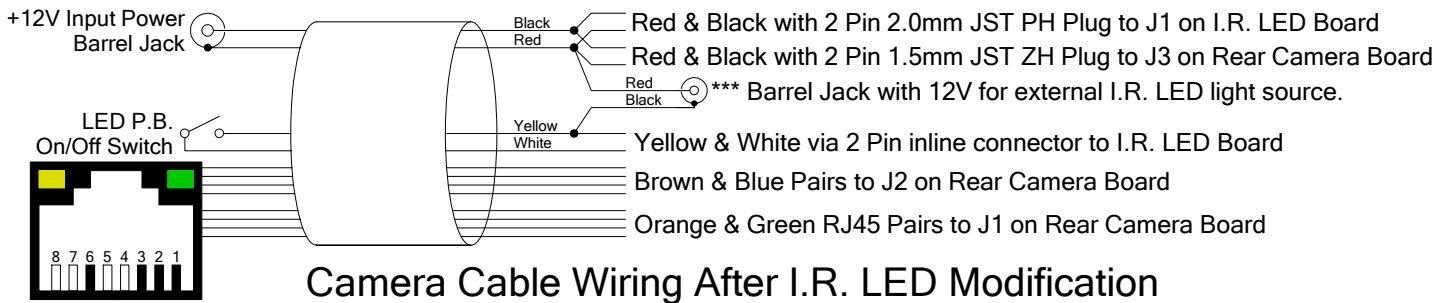
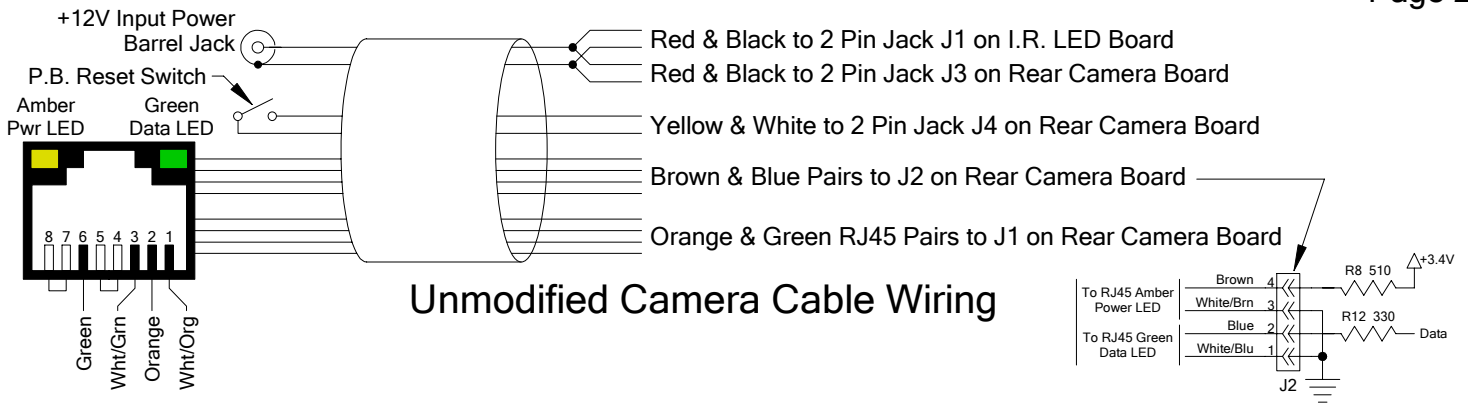


Unmodified I.R. Board



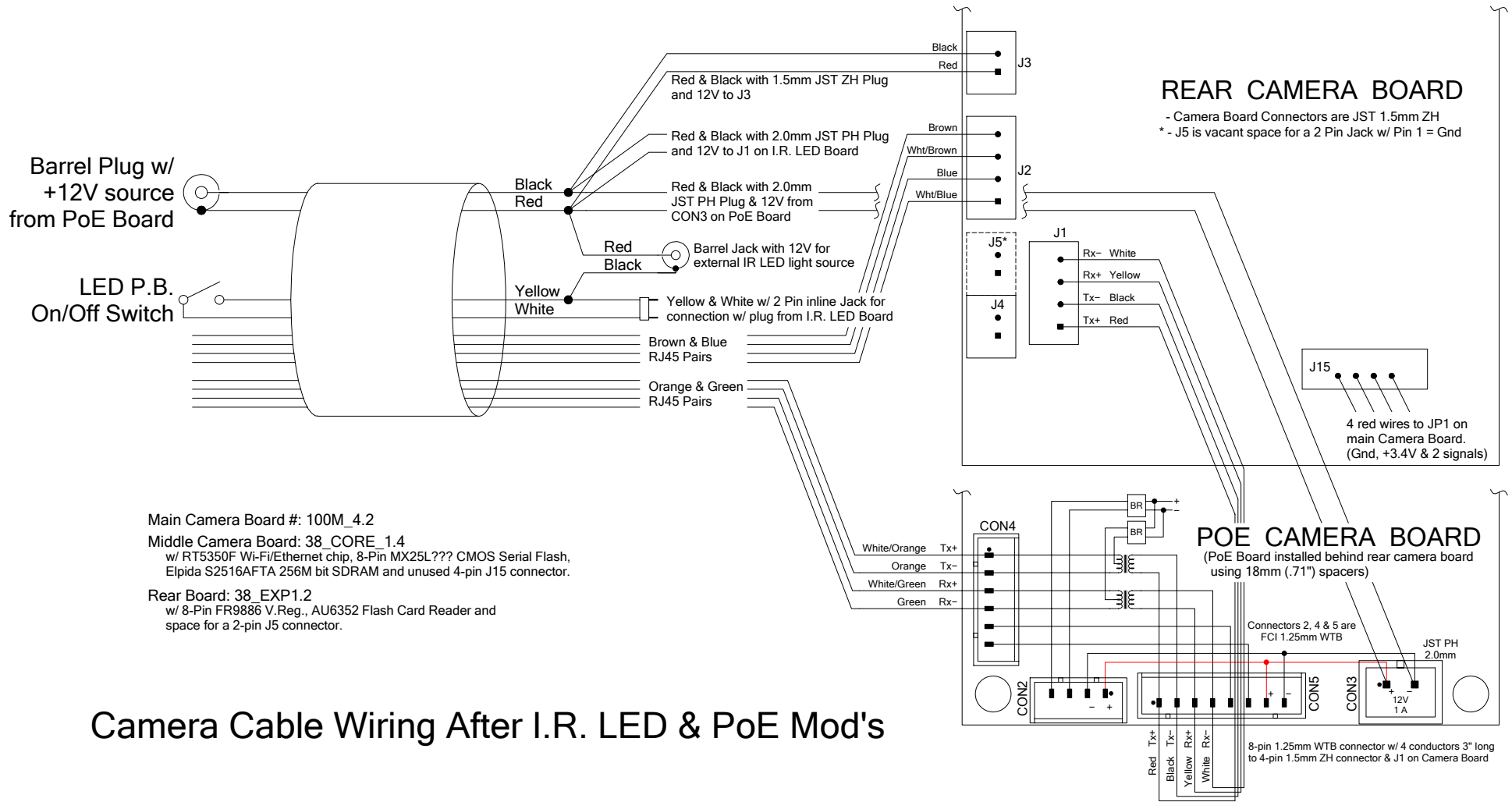
Modified I.R. Board

# Dericam H216W / Cybernova CN-WIP880MW Outdoor IP Camera Mod's



\*\*\* Removed Barrel Jack installed in camera enclosure opening intended for SMA Wi-Fi antenna connector.

## Camera Cable Wiring After I.R. LED & PoE Modification



Camera Cable Wiring After I.R. LED & PoE Mod's