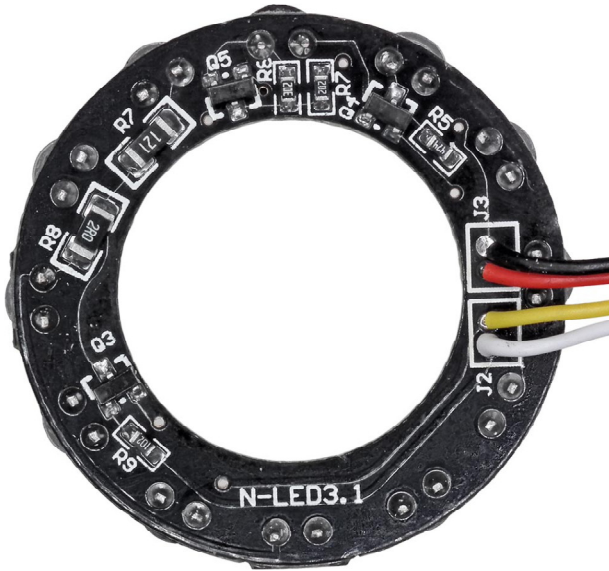


Dericam H502W and Cybernova CN-WIP604MW Indoor Pan-Tilt IP Camera Mod's



Camera Module & I.R. Board Orientation -

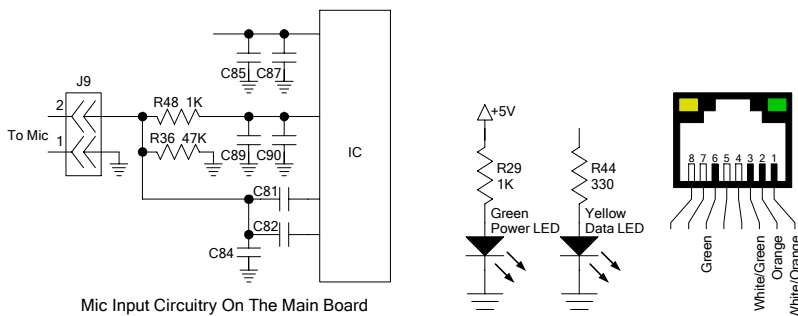
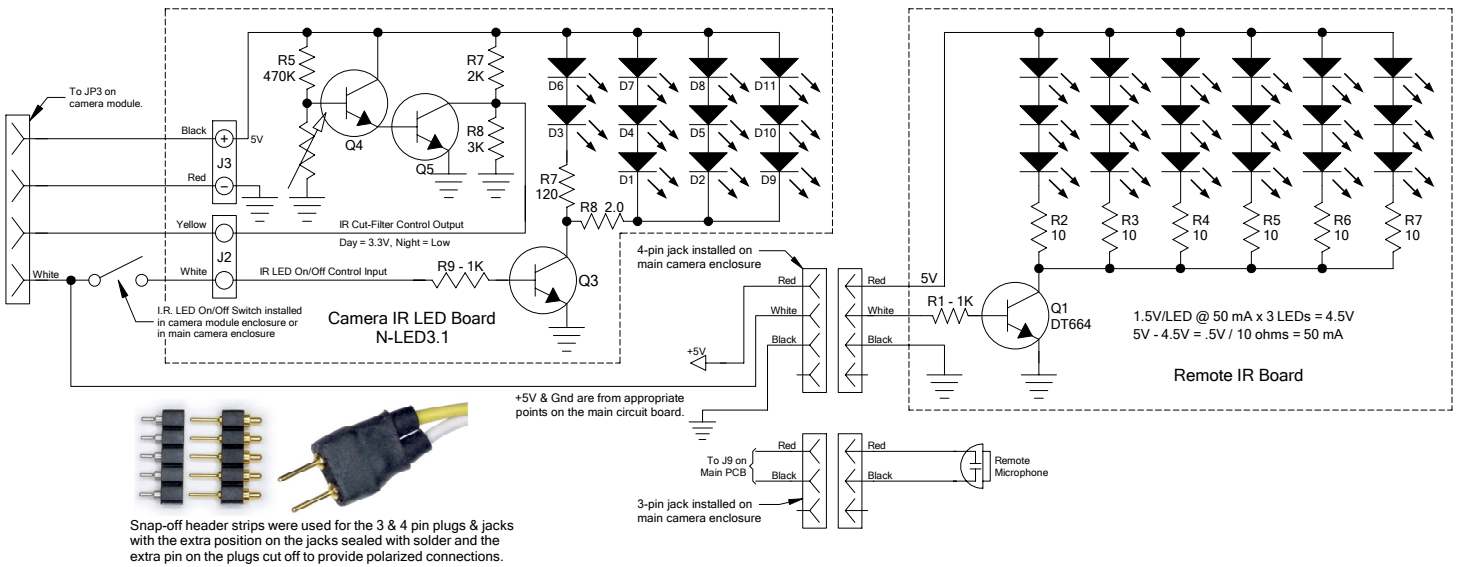
- (1) IR board is positioned with the photocell above the lens.
- (2) Looking from behind the lens, Camera Module is positioned with IR Cut Filter on left, JP2 & JP3 below and JP1 above the lens.

Camera Main Circuit Board

- R29 = 1K and for RJ45 Jack Green Power LED (Removed on CNCAM2)
- R44 = 330 and for RJ45 Jack Yellow Data LED (Removed on CNCAM2)
- J19 - 2 pin Jack w/ Red Wires to Pan CW Stop Switch (Pin 1 = Gnd)
- J21 - 2 pin Jack w/ White Wires to Pan CCW Stop Switch (Pin 1 = Gnd)
- J20 - Space for a 3 pin Jack (Center pin 2 = Gnd, pin 1 = J19 pin 2, pin 3 = J21 pin 2)
- J10 - Space for a 3 pin Jack - unknown use
- J15 - 4 pin jack w/ 4 orange wires to camera module JP1 (Gnd, ?, ?, +5V)
- J13 - 5 pin jack to Tilt stepper motor
- J14 - 5 pin jack to Pan stepper motor
- J9 - 2 pin jack to microphone (Bias Voltage = 1.46V)

Camera Module

- JP1 - 4 orange wires to Main PCB J15
- JP2 - 2 wires to I.R. Filter
- JP3 - 4 wires from I.R. Board



Camera Module

- Sonix SN902JG IC
- Sonix SN9C291A IC
- 3.3V Regulator

Main PCB

- RT5350F Wi-Fi IC
- AU6350 Flash Card Reader IC
- ULN2803AG

5V at ?? mA w/o IR LEDs & ?? mA w/ IR LEDs