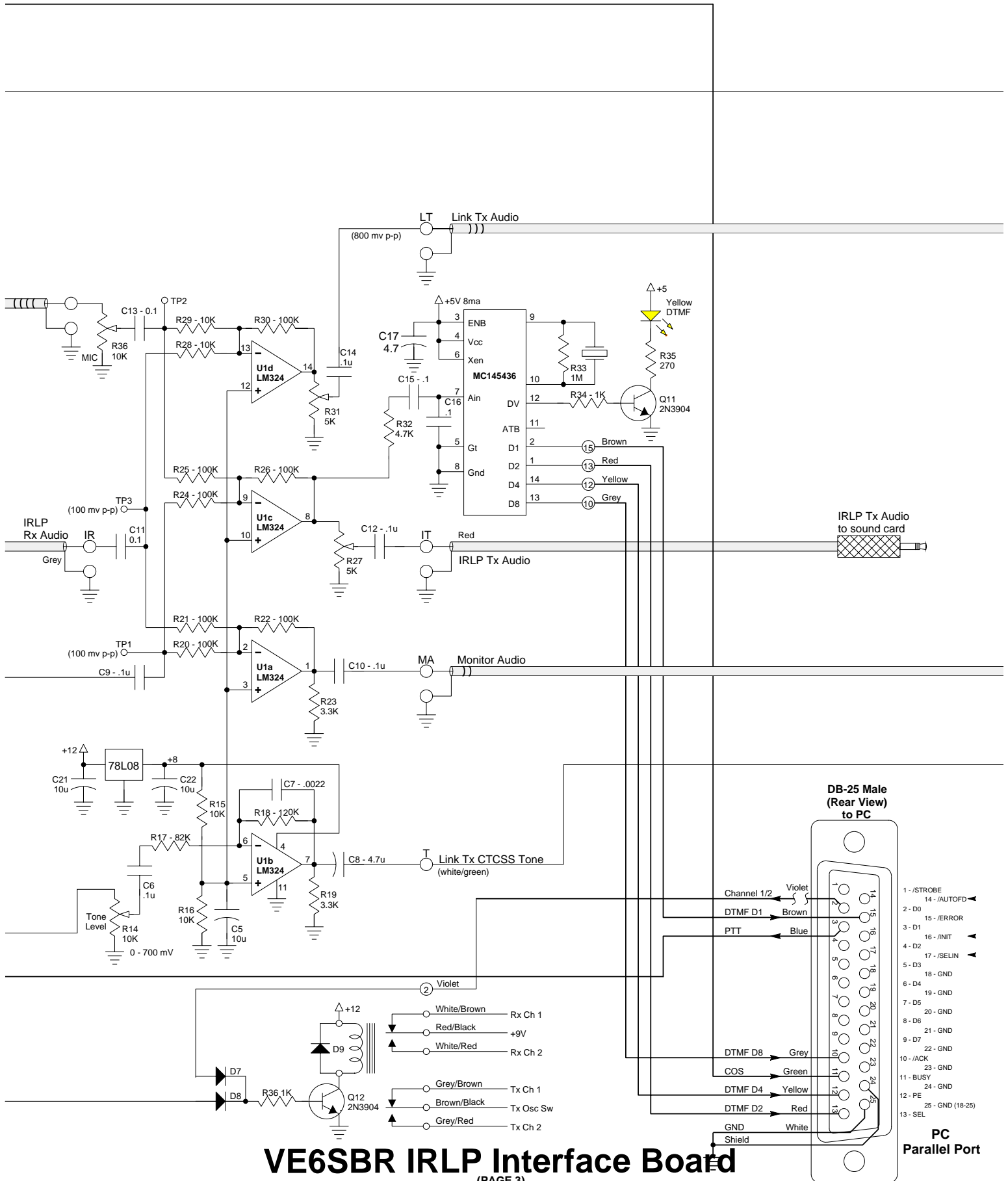


VE6SBR IRLP Interface Board
(PAGE 2)



VE6SBR IRLP Interface Board

- DB-25 Male (Rear View) to PC**
- 1 - /STROBE
 - 2 - D0
 - 3 - D1
 - 4 - D2
 - 5 - D3
 - 6 - D4
 - 7 - D5
 - 8 - D6
 - 9 - D7
 - 10 - /ACK
 - 11 - BUSY
 - 12 - PE
 - 13 - SEL
 - 14 - /AUTOFD
 - 15 - /ERROR
 - 16 - /INIT
 - 17 - /SELIN
 - 18 - GND
 - 19 - GND
 - 20 - GND
 - 21 - GND
 - 22 - GND
 - 23 - GND
 - 24 - GND
 - 25 - GND (18-25)

PC Parallel Port

